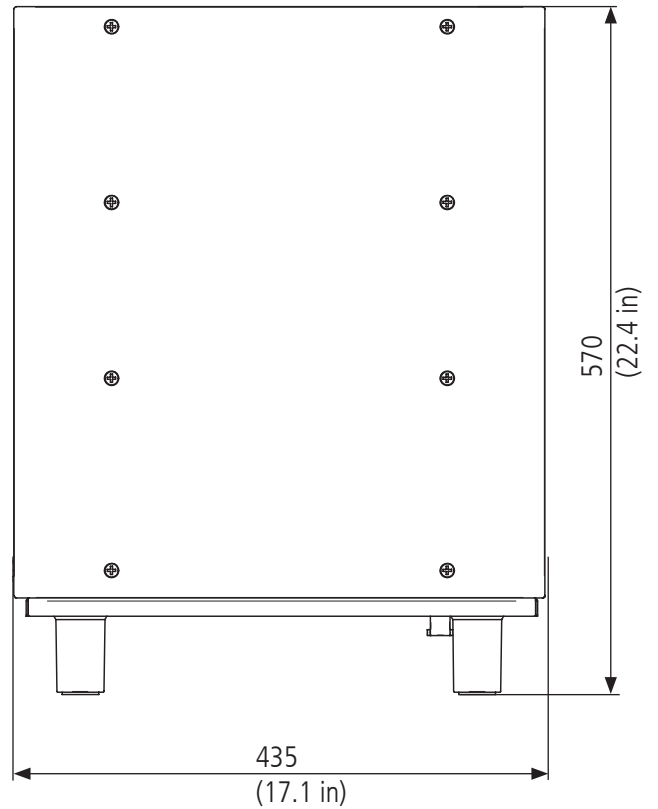
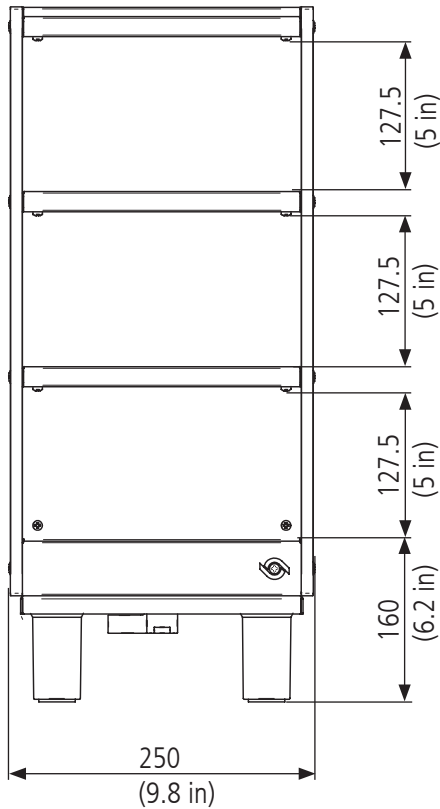


Cut sheet CH (Cup heater)



Cup heater Black&White 3 CH	
Capacity	Holds 100 to 150 cups
Connections	220-240 VAC   0.5 A   50/60 Hz 100-120 VAC   0.7 A   50/60 Hz
Output	90-110 W 85 W
Dimensions	250 x 435 x 565 mm (W / D / H) 9.8 x 17.1 x 22.4 in (W / D / H)  Optional with higher feet (USA / CAN): 250 x 435 x 610 mm (W / D / H) 9.8 x 17.1 x 24 in (W / D / H)
Weight	17 kg 37.4 lb

For more information see Technical Manual.